

21ST CENTURY
SERIES

Bovie[®]

Medical Device Depot
Inc.

www.medicaldevicedepot.com
1-877-646-3300

THE 21ST CENTURY SERIES MINOR SURGERY LIGHTING



COMPELLING

The 21st Century Series lights by Medical Illumination International

CLEAR

For improved shadow reduction the Centurion Excel uses a large 16" diameter, multi-faceted reflector placed behind a color-correcting, heat absorbing glass cylinder

BRIGHT

The Centurion Excel is output rated 64,500 lux (6000 foot candles) at 4,000 Kelvin color temperature

VERSATILE

Additional lighting accessories are available to construct the perfect lighting system solution

EFFICIENT

2000 hour, 90 watt bulb is effortlessly replaced when needed

SMOOTH

Light-head smoothly adjusts into perfect placement for optimum visualization during procedure


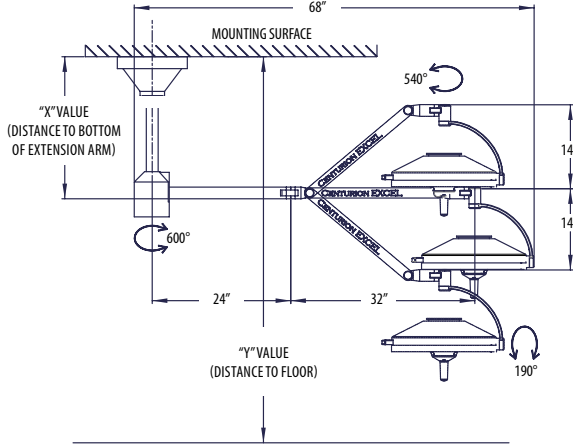
RELIABILITY

The Centurion Excel is backed by a three (3) year manufacturer's limited warranty

MINOR SURGERY LIGHTING

THE 21ST CENTURY SERIES

21ST CENTURY SERIES
MODELS INCLUDE

<p>Centurion™ Excel Single Ceiling Mount Model</p>  <p>a. Head b. Articulating Arm c. Single Ceiling Mount</p> <p>CH-SC</p>	<p>Rotation and Arm Movement</p> 
---	--

OTHER 21ST CENTURY SERIES
MODELS AVAILABLE

<p>Centurion™ Standard Wall Mount</p>  <p>CST-WM</p>	<p>Centura™ Wall Mount</p>  <p>CSP-WM</p>	<p>Centura™ F.O. Wall Mount</p>  <p>CSP-WMG</p>	<p>Centry™ Exam Wall Mount</p>  <p>CEX-WM</p>	<p>Centurion™ Excel Portable Floor Model</p>  <p>CH-FM</p>
<p>Dual Ceiling Combo Model</p> 		<p>Dual Trolley Chuttle Trak Model†</p>  <p>†Ceiling tracks sold separately</p>		

For more product information, contact your Bovie sales representative.

Dimensions:	
Head	18" (45.72 cm) Dia. X 6.60 High (16.7 cm)
Arm	57.0" (144.8 cm) Long
Arm (Floor)	38.5" (97.79 cm) Long
Floor Stand	74.5" (189.23 cm) High

Rotations:	
Articulating Arm Vertical Movement	+/- 40 Degrees travel
Articulating Arm Horizontal Movement	Approximately 540 Degrees
Articulating Arm/Yoke Interface	Approximately 540 Degrees
Yoke/Lamp Head Interface	Approximately 190 Degrees

Weight:	
Head	Approximately 10.10 lbs. (4.58 kg)
Arm	Approximately 12.5 lbs. (5.68 kg)
Arm (Floor)	Approximately 11.4 lbs. (5.18 kg)
Wall Bracket Assy.	Approximately 3.00 lbs. (1.36 kg)
Floor Stand Assy.	Approximately 43.0 lbs. (19.50 kg)
Single Ceiling Mount	Approximately 14.5 lbs. (6.58 kg)
Dual Ceiling Mount	Approximately 16.0 lbs. (7.26 kg)

Data:	
Light Source	Halogen Bulb
Bulb Life in Hours	2,000
Kelvin Color Temperature	4,000
Lux	(64,500) 6,000 foot-candles
Input Voltage	110 - 125 VAC 50/60 Hz, 210 - 230 VAC 50/60 Hz

MEDICAL ILLUMINATION
INTERNATIONAL
WHERE ILLUMINATION IS DEFINED

Made in the USA. The 21st Century Series is currently only available for sale in the USA.

21ST CENTURY SERIES
TECHNICAL
SPECIFICATIONS