

***DISCLAIMER: This document is not complete - it is an overview only. Please read the actual manual prior to Installation.**


21st Century Ceiling Mount Pre-Installation Guidelines

SPECIAL NOTE: Installation and repair of this equipment should be performed by qualified persons only. Medical Illumination International, Inc. does not warranty any damage occurring as a result of improper installation.


It is recommended that the installation manual be completely reviewed prior to installation.

Before installation, check to insure the following minimum conditions are provided:

- The structural ceiling mount should be designed to support:
 - A vertical load of at least 100 lbs. and an
 - Off center moment of 300 ft-lbs.
 - **The ceiling rod must be plumb. Shim the casting if necessary.**
- The structural mount should meet all local building codes.

 **A structural mount that does not meet these minimum conditions can cause serious injury and/or property damage.**

- It is recommended that the equipment be mounted directly over a 4-0 junction box. input power supply lines should be wired in accordance with all applicable building codes.
- The supply circuit line must be as follows:
120 VAC lights: 110 -120 VAC 60 Hz, single phase, three wire, capable of supplying 700 Watts @ 7 Amperes.
The ceiling casting itself must be electrically grounded to maintain proper grounding reliability.
- The power supply circuit line must be routed and wired to the light head in compliance with all applicable building codes.

 **Failure to provide a circuit meeting these minimum standards or complying with local building codes can cause a shock hazard.**

- Check the length of the ceiling rod supplied to make sure that it is the proper length to install and operate the light without interference or over reach (See ceiling Rod Calculation pages 11-12).

Note: The Centry Diagnostic / Specialty Light is shown for reference. The dimensions indicated also apply to the Centurion Diagnostic, Centurion Excel minor surgery light and the Centura Spotlight.

Dimensions are approximate.

*Ceiling Rod Table applies to single and dual ceiling mounts.

Ceiling Rod Calculation



Use the following table to select the correct length ceiling rod for your application.

Ceiling Rod Calculation, Single Ceiling Mount

Ceiling Mounting Height	Ceiling Rod Length	"X" Value	"Y" Value	Head room to bottom of extension arm (y value-x value)
7'6" - 8'6" (2,29- 2,59 m)	16"(406,4 mm)	22"(558,8 mm)	90-102" (2,29-2,59 m)	68-80" (1,72-2,02 m)
8'7" - 9'6" (2,62 -2,89 m)	25"(635,0 mm)	31"(787,4 mm)	103-114" (2,62-2.89 m)	72-84" (1,82-2,13 m)
9'7" - 10'6" (2,92- 3,20 m)	35"(889,0 mm)	41"(1041,4 mm)	115-126" (2,92-3.20 m)	74-86" (1,87-2,18 m)



NOTE: Longer ceiling rods are available for higher ceilings.
Contact customer service for extended ceiling mount installation instructions.

****DISCLAIMER: This document is not complete - it is an overview only. Please read the actual manual prior to installation.***

**GENERAL INSTRUCTIONS FOR
DETERMINING CEILING ROD LENGTH**
(when ordering any ceiling mounted light)

IMPORTANT: Refer to the mounting instructions for the specified model to determine the weight and movement capabilities necessary for proper support.

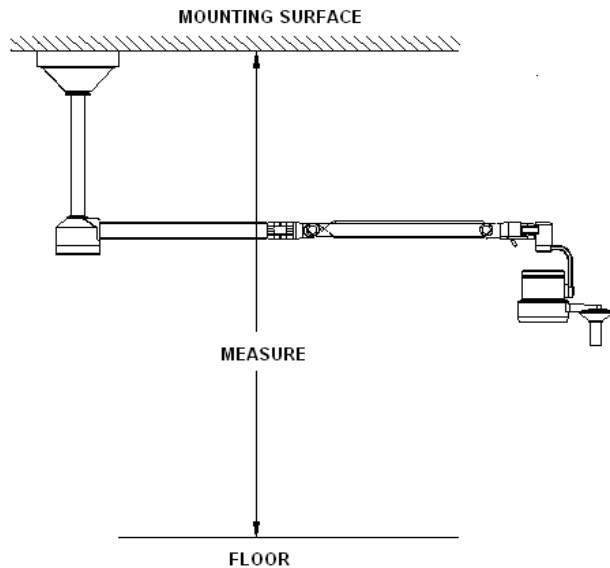


Fig 1

Measure the total distance using either inches or millimeters from floor to mounting surface as shown in Fig. 1

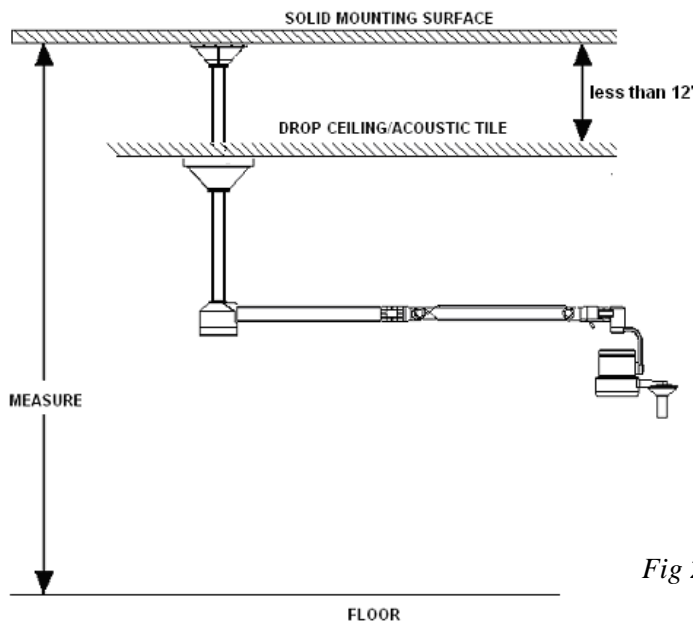


Fig 2

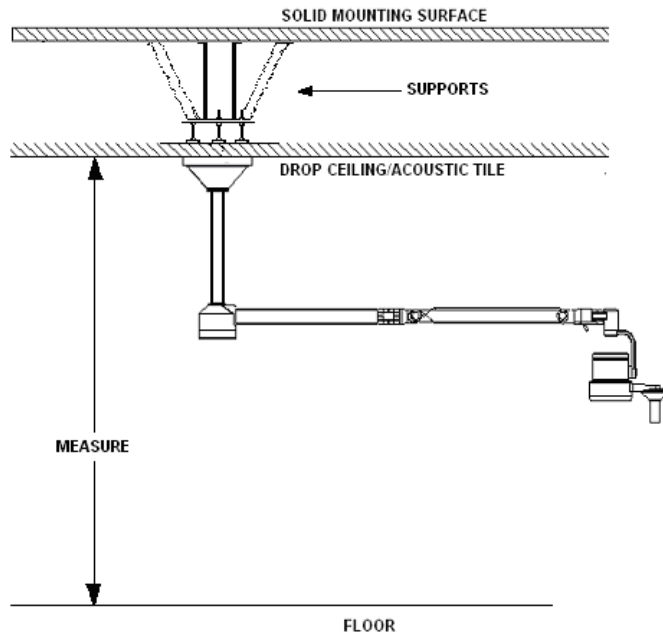
For facilities with acoustic tile “drop ceilings”, the light can be mounted in one of two ways:

A: If the distance between the solid mounting surface & the drop ceiling is not excessive and does not exceed 12 feet, the light may be mounted as shown in Fig. 2*

(more on next page)

* Note: An architect, structural engineer or contractor should be consulted directly regarding the details of ceiling mount installation. Medical Illumination cannot provide any direct guidance or recommendations beyond the pre-installation guidelines outlined in the product’s installation manual.

**GENERAL INSTRUCTIONS FOR
DETERMINING CEILING ROD LENGTH**
(when ordering any ceiling mounted light)



B: If the light will be mounted directly at the drop ceiling level, then structural supports can be mounted above the tile, and placed directly on the solid surface, to fully support the mounting.*

Standard ceiling rods are included with light orders at no additional cost.
Extended ceiling rods are available at an additional cost.

** Note: An architect, structural engineer or contractor should be consulted directly regarding the details of ceiling mount installation. Medical Illumination cannot provide any direct guidance or recommendations beyond the pre-installation guidelines outlined in the product's installation manual.*